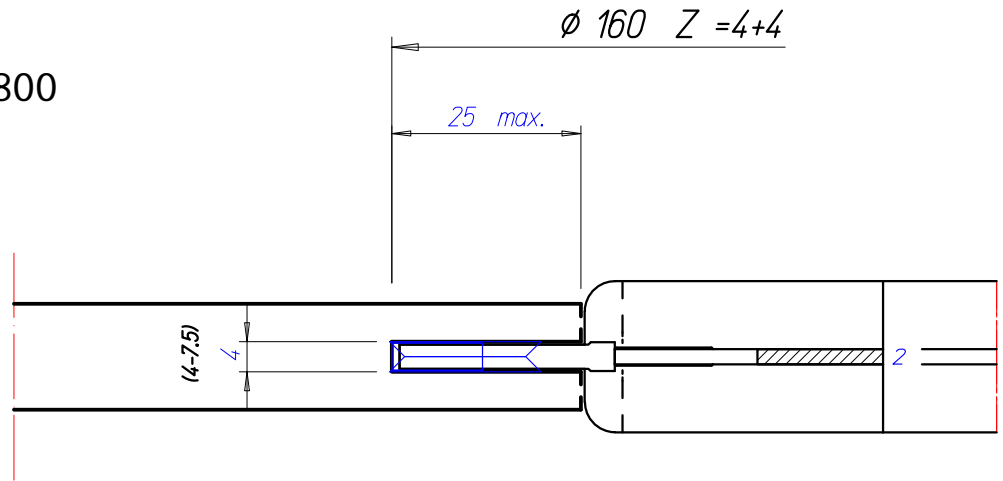


Thin Adjustable Grooving Cutter RNAG1600475

n min 4800 max 7800



Thin Adjustable Grooving Cutter RNAG1600595

n min 4700 max 8700

